

QUADPLEX PROTECT PLUS ALARM PANEL INFORMATION

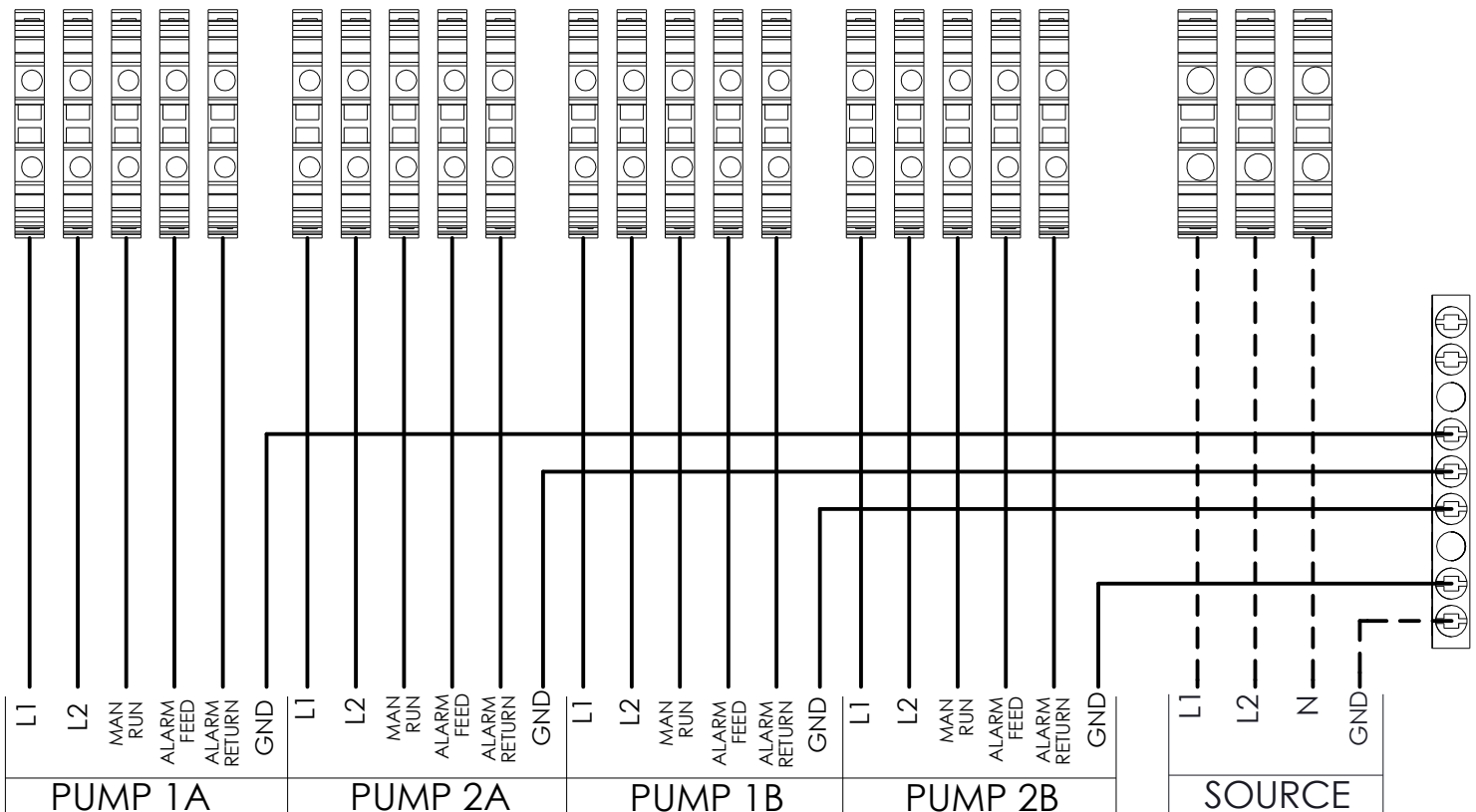
Panel Installation Notes:

- Panel is recommended to be installed within sight of the station.
- Panel must be located in the area the user will easily see and hear if an alarm occurs.
- Panel is to be mounted to a wall or pole through mounting flanges at top and bottom of panel.
- Panel must be mounted with the Alarm Lamp up.
- No non-factory penetrations are allowed through the panel wall or door except for conduit entries through bottom.
- All conduit fittings into panel must be 4X rated and sealed.
- Seal all conduit per NEC SECTION 300.5 & 300.7.
- A 50 Amp breaker is recommended to feed the Alarm/Pump disconnect panel from the main power source.
- The conductors feeding Main Source Power must be 8AWG copper or larger, per NEC 310.16.
- Panel should be installed 3' or higher off the ground.

Supply Cable Notes:

- Unprotected supply cable must be buried a minimum of 24" below grade or it must be protected by appropriate conduit, per NEC 300.5.
- Supply Cable Voltage Drop – 12 AWG Wire 240 VAC Pump - .098 Volts per foot of cable.
- Maximum recommended length of 12 AWG supply cable, assuming supply voltage is within 5% of pump nameplate voltage at panel:
240 VAC = 150' (minimum voltage at pump is 216 VAC)
- Consult your local distributor if longer distances are needed. Underground splices are not recommended.

FOLLOW YOUR LOCAL AND NATIONAL CODES WHEN INSTALLING THIS PRODUCT



NOTES:

1. ONLY EXTERNAL PUMP AND POWER CONNECTIONS SHOWN.
2. REFER TO PACKET FOR FULL WIRE DETAIL.

LEGEND



A DEDICATED 50A CIRCUIT BREAKER IS REQUIRED

WARNING

REMOVE VOLTAGE FROM OPEN DRY CONTACT BEFORE SERVICING STATION OR PANEL.

CONNECTION TO LINE VOLTAGE ON DRY CONTACT WILL RESULT IN A SAFETY HAZARD FOR SERVICE PERSONNEL.

